



The 27th International Conference on Electrical Machines and Systems (ICEMS-Fukuoka 2024)

## Call for Corporate Exhibitors

The Industry Applications Society of the Institute of Electrical Engineers of Japan (IEEJ) will host the 27th International Conference on Electrical Machines and Systems (ICEMS-Fukuoka 2024) to be held from November 26 to 29, 2024, at the FIT Hall & FIT Arena of the Fukuoka Institute of Technology (3-30-1, Wajirohigashi, Higashi-ku, Fukuoka City, Fukuoka Prefecture, Japan).

This international conference aims to provide an opportunity to present the latest research developments in the field of electrical machines and their related systems (rotating and other machines, power electronics, etc.) and contribute to the development of this field through exchanges of useful information among participants. ICEMS is valuable as one of the few international conferences covering a wide range of fields centering on electrical machines and their related systems. Held annually under the close cooperation of the major Asian countries of Japan, China and South Korea, and the United States, with approximately 500 participants from Asia and elsewhere, this conference has come to play an increasingly important role over the years.

Therefore, we would like to ask companies and organizations related to the conference to consider becoming exhibitors at the conference to provide useful and up-to-date information to the participants.

The FIT Arena (over 700 m<sup>2</sup> floor space) will be the venue, and the exhibition floor will be used not only for corporate exhibits but also for poster presentations, coffee breaks and other events, so we expect many people will come. For details, please see the attached "ICEMS-Fukuoka 2024 Call for Corporate Exhibitors".

We would appreciate your kind understanding of the purpose of this conference and be grateful for your cooperation.

With best regards,

Toshihiko Noguchi, Conference Chair

Osamu Yamamoto, Organizing Committee Chair

<Inquiries>

ICEMS-Fukuoka 2024 Secretariat

(c/o E.C. Inc.)

Slack Shibuya 1101, Sakuragaoka-cho 31-14, Shibuya-ku, Tokyo, 150-0031

Attn. Asami Hoshi

E-mail: [secretariat@icems2024.com](mailto:secretariat@icems2024.com)



## ICEMS-Fukuoka 2024 Corporate Exhibition Call for Corporate Exhibitors

**Conference name:** The 27th International Conference on Electrical Machines and Systems (ICEMS-Fukuoka 2024)

**Organizer:** IEEJ Industry Applications Society (IEEJ-IAS)

**Co-organizers:** China Electrotechnical Society (CES), Korean Institute of Electrical Engineers Electrical Machinery and Energy Conversion Systems (KIEE-EMECS), IEEE Industry Applications Society (IEEE-IAS)

**Conference dates:** November 26 (Tuesday) to 29 (Friday), 2024

**Venue:** FIT Hall & FIT Arena of Fukuoka Institute of Technology (3-30-1, Wajirohigashi, Higashi-ku, Fukuoka City, Fukuoka Prefecture, Japan)

**Application period:** December 27, 2023, to **September 30** ~~July 31~~ ~~May 31~~, 2024

**Exhibition schedule:**

Installation and setup From the afternoon of November 26 (Tuesday) to the morning of November 27 (Wednesday)

Exhibition period From the afternoon of November 27 (Wednesday) to November 29 (Friday)

Removal November 29 (Friday) \*Removal is scheduled to start after the last coffee break.

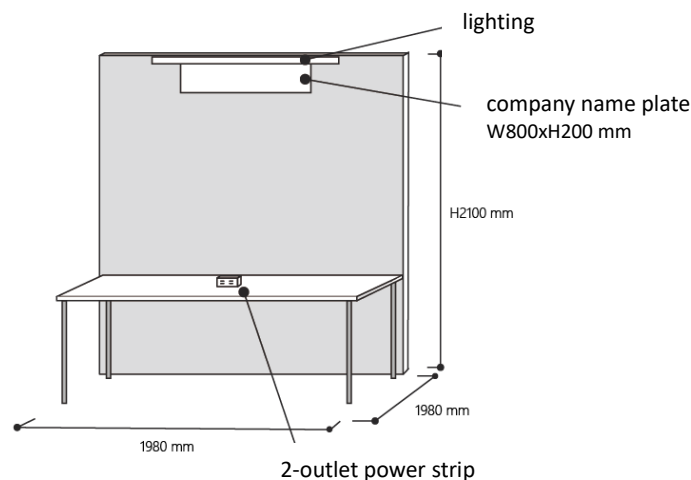
\*The exhibition schedule is subject to change. Details will be provided in the Exhibit Manual to be distributed later.

**Conference format:** Face-to-face

**Number of booths (planned):** 20

**Standard booth dimensions:** Opening width (W)1.98m x depth (D)1.98m x height (H) 2.1m, back panel with lighting, power supply (100V/1kW outlet), company name plate (typeface: Arial), table with white cloth (W 1.8m x D 0.6m x H 0.7m) and 2 chairs. We will endeavor to accommodate needs for additional power supply capacity, lighting, three-phase power supply, etc. (actual costs will be borne by the exhibitor).

<Basic booth image>



**Booth allocation (floor layout):** Please note that the organizer will determine the booth allocation based on a comprehensive consideration of the exhibit contents, etc.

**Exhibition fee:** ¥150,000 (Consumption tax 10% included) per booth

**Deadline for payment of exhibition fee:** October 31, 2024 (transfer to a bank account to be specified later)

\*The Institute of Electrical Engineers of Japan is a Qualified Invoice Issuer (T5-0100-0501-8560).

(Updated on the deadline of application: September 2, 2024)

**How to apply:** Submit the attached application form to the ICEMS-Fukuoka 2024 Secretariat ([secretariat@icems2024.com](mailto:secretariat@icems2024.com)) by e-mail. Upon receipt of the application form, the secretariat will e-mail you a receipt. Please reply to the e-mail to complete your application. The secretariat will issue an invoice upon the finalization of the payment date through mutual consultation.

**Cancellation policy:** In case of cancellation, please contact the ICEMS-Fukuoka 2024 Secretariat in advance.

From the date of exhibit application to June 30, 2024 No cancellation fee

From July 1, 2024 - August 31, 2024 25% of the exhibition fee

After September 1, 2024 50% of the exhibition fee

\*If the conference is held completely online, all exhibits will be cancelled free of charge.

## **Inquiries**

ICEMS-Fukuoka 2024 Secretariat

(c/o E.C. Inc.)

Slack Shibuya 1101, Sakuragaoka-cho 31-14, Shibuya-ku, Tokyo, 150-0031

Attn. Asami Hoshi

E-mail: [secretariat@icems2024.com](mailto:secretariat@icems2024.com)